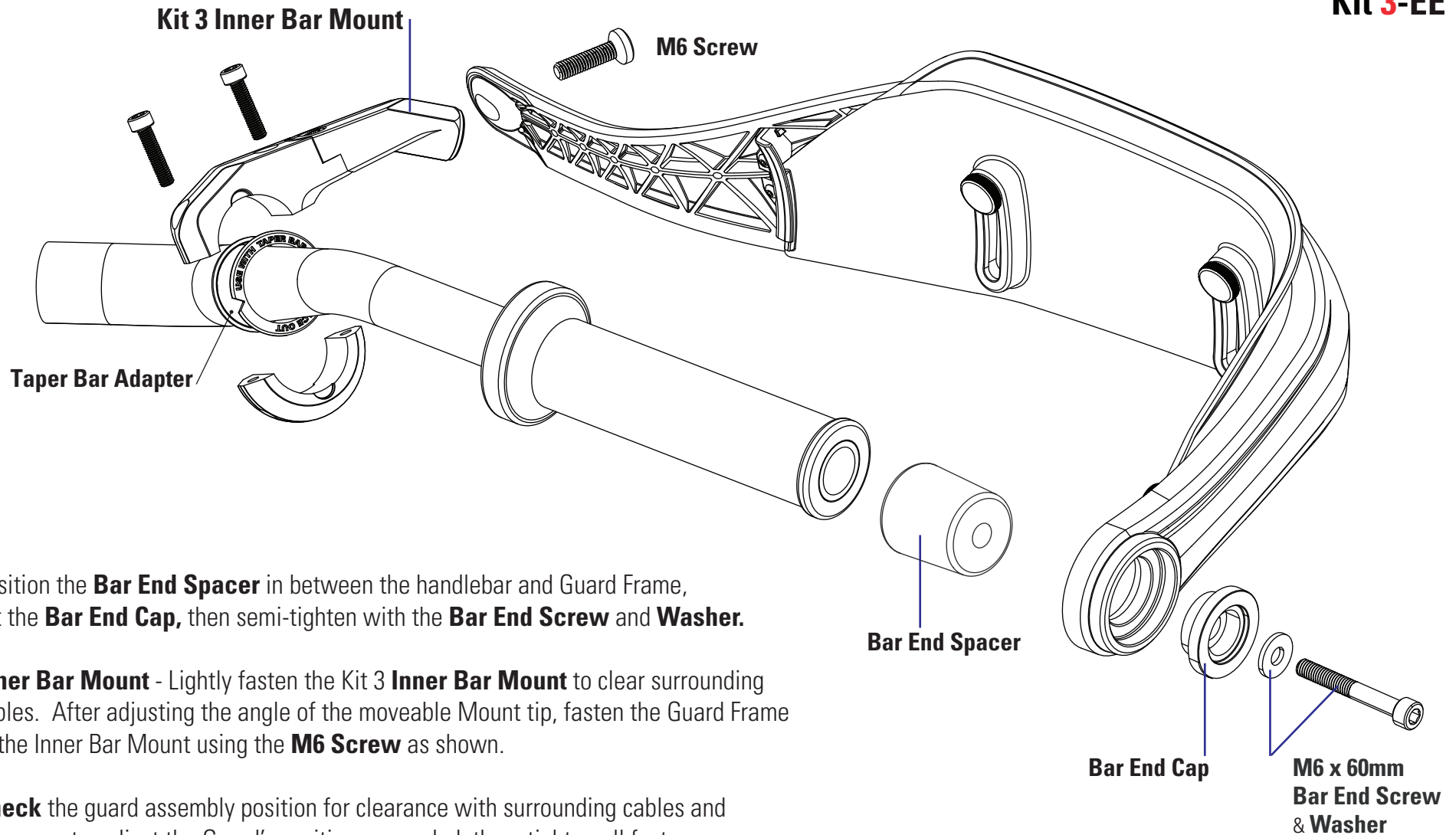


### Fitment to **Energica Experia** Kit **3-EE**



\_Position the **Bar End Spacer** in between the handlebar and Guard Frame, set the **Bar End Cap**, then semi-tighten with the **Bar End Screw** and **Washer**.

\_**Inner Bar Mount** - Lightly fasten the Kit 3 **Inner Bar Mount** to clear surrounding cables. After adjusting the angle of the moveable Mount tip, fasten the Guard Frame to the Inner Bar Mount using the **M6 Screw** as shown.

\_**Check** the guard assembly position for clearance with surrounding cables and components, adjust the Guard's position as needed, then, tighten all fasteners.

**BEFORE USE:** Always **check throttle for free movement** & proper function.